



ART REQUEST FORM - DC-J 15' TRUCK

ART REQUIREMENTS - DC-J 15' TRUCK

Art Contact:

Provide all materials to:
 Daniel Bridges, Program Manager
 Patriot Truck Leasing
 2727 North Central Ave., Phoenix, AZ 85004
 direct: 602.263.6811 • toll free: 877.844.7446
 fax: 602.745.6426 • patriottruckleasing.com

Art Format:

- Artwork and clipart must be either Vector (line art), Rasterized (pixels) and/or a combination of both.
- File Formats: Illustrator, Photoshop, InDesign or pre-press quality PDF.
- Files must be saved with extension(s) ie., .ai, .eps, .tif, etc.

Type Fonts:

- All type fonts must be converted to outlines.

Color:

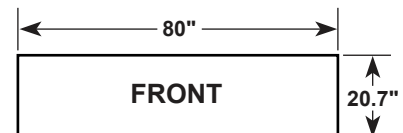
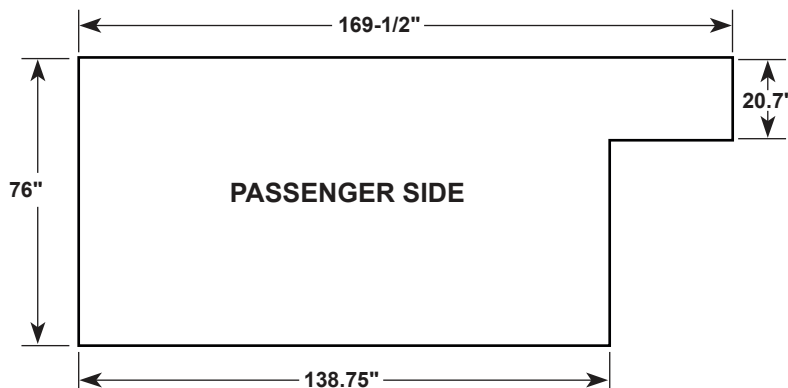
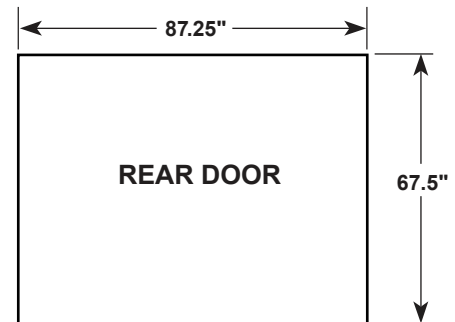
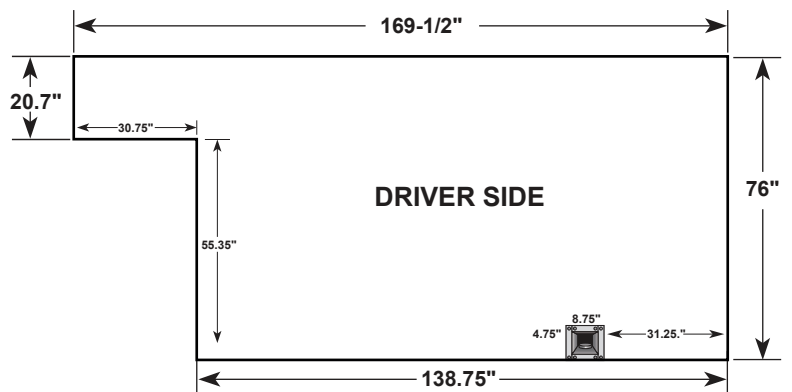
- Specify color(s). Use Pantone PMS color number(s) and/or CMYK values.
- NOTE: If color(s) are not specified in writing, the computerized artwork provided by Client will be used to produce the colors in the final decal artwork.

Images (Linked):

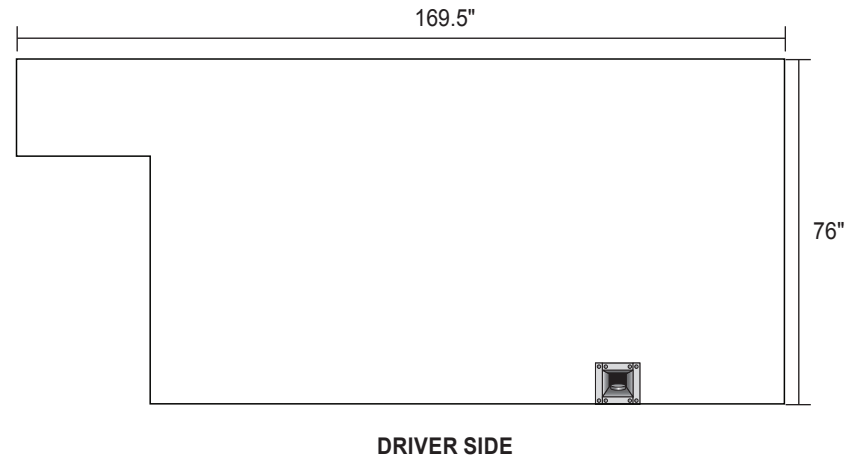
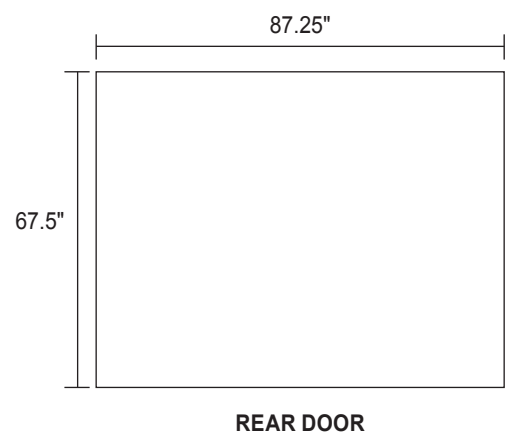
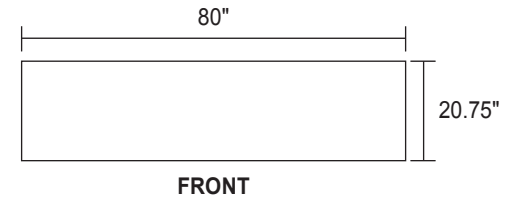
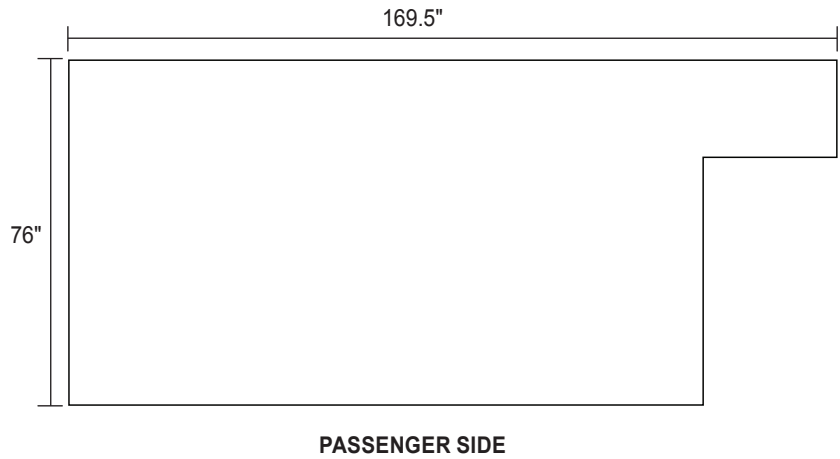
- For the best possible print; Please provide the best quality digital file(s) possible.
- Photoshop files must be saved as CMYK images.
- If image requires a bleed (final color to butt-up to edge of truck extrusion, etc.), artwork must include a minimum of 1" extra "bleed" area.
- Minimum Digital Resolution of Rasterized Images at 1/4 scale is required at a minimum of 300 ppi.

Artwork Image Area(s):

- Refer to drawings and measurements in this form.



DRAWING IS SCALED: 1/4" = 12"
 (Actual Size - enlarge 4800%)



MKTRK-841-PTXXXX(0)CC01.1.ai
 XX/XX/2023
 Client's Name

15' DC-M Truck Conceptual Design

©2023 PATRIOT TRUCK LEASING®

Not to Scale - Provided for conceptual placement only.



 Art Approval Signature

 Title

 Business Name

 Date

Email approvals to Daniel_Bridges@uhaul.com

All approvals are final. Any design modifications can only be made at the request of the business Owner/Operator. Additional fees may be incurred as a result of design modification. By signing this agreement I confirm that I have received approval for use of all copyright/trademark logos and/or advertising material.

* All dimensions are estimated and may vary based on requested square feet of advertising space.